

A155 Modular contactor

Modular Contactor

FDC16

Poles	Rated Current	Contact	Order Code
2P	10A	1NO+1NC	FDC16-2-1011
	10A	2NO	FDC16-2-1020
	16A	1NO+1NC	FDC16-2-1611
	16A	2NO	FDC16-2-1620
	20A	1NO+1NC	FDC16-2-2011
	20A	2NO	FDC16-2-2020
	25A	1NO+1NC	FDC16-2-2511
4P	25A	2NO	FDC16-2-2520
	10A	2NO+2NC	FDC16-4-1022
	10A	3NO+1NC	FDC16-4-1031
	10A	4NO	FDC16-4-1040
	10A	4NC	FDC16-4-1004
	16A	2NO+2NC	FDC16-4-1622
	16A	3NO+1NC	FDC16-4-1631
	16A	4NO	FDC16-4-1640
	16A	4NC	FDC16-4-1604
	20A	2NO+2NC	FDC16-4-2022
	20A	3NO+1NC	FDC16-4-2031
	20A	4NO	FDC16-4-2040
	20A	4NC	FDC16-4-2004
	25A	2NO+2NC	FDC16-4-2522
	25A	3NO+1NC	FDC16-4-2531
	25A	4NO	FDC16-4-2540
	25A	4NC	FDC16-4-2504



FDC16 1P



FDC16 4P

Application

FDC16 modular contactor is applicable to alternative circuit with rated voltage up to 400V, rated current up to 24A and rated frequency 50/60Hz. The product is used for remote switching and controlling of power circuit.

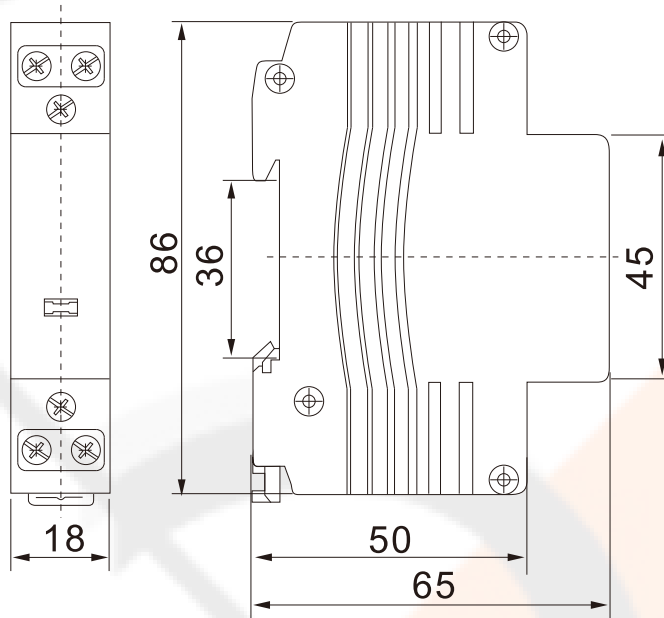
Technical Data

- ◆ Power circuit
- ◆ Rated current: 10, 16, 20, 25A
- ◆ Rated voltage:
 - ◇ 24V / 230V 2pole
 - ◇ 24V / 230V 4pole
- ◆ Rated frequency: 50/60Hz
- ◆ Remote control circuit (coil)
- ◆ Rated voltage: 230V: -15~+6%
- ◆ Detailed specifications:
 - ◆ Rated frequency: 50/60Hz
 - ◆ Mechanical endurance: 100,000 cycles
 - ◆ Electrical endurance: 30,000 cycles
 - ◆ Ambient temperature: -5°C~+60°C
- ◆ Connection terminal: pillar terminal with clamp
- ◆ Installation
 - ◇ On symmetrical din rail
 - ◇ Panel mounting

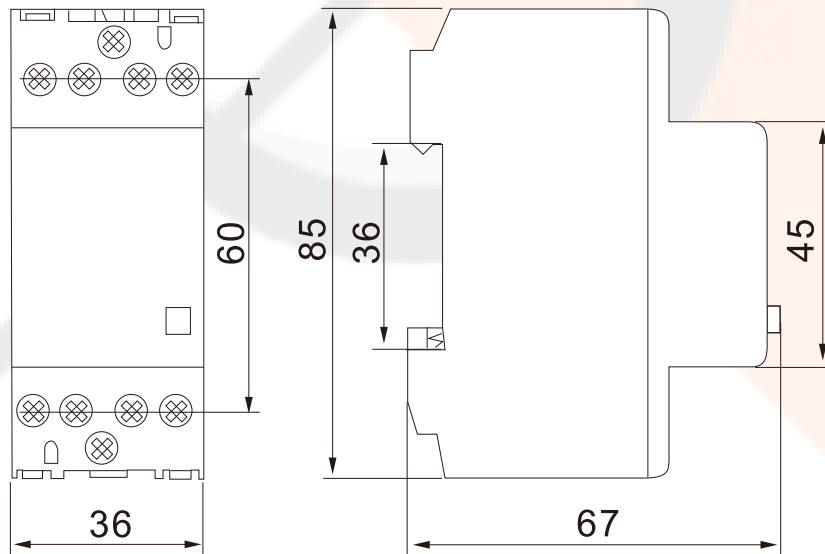
Construction and Feature

- ◆ Compact and modular design
- ◆ Electro-magnetic mechanism free of noise
- ◆ Contact position indication
- ◆ Big contact capacity and long endurance

A155 Modular contactor



FDC16 2P



FDC16 4P

This document is property of CROP Technology Group Ltd. It is not allowed to send, duplicate or edit this document without written permission of CROP